



UNIVERSITY OF SWAZILAND

2nd SEM. 2014/2015

SUPPLEMENTARY EXAMINATION PAPER

PROGRAMME: All B.Sc. YEAR I

COURSE CODE: AS 101

TITLE OF PAPER: ZOOLOGY

TIME ALLOWED: TWO (2) HOURS

**INSTRUCTIONS: ANSWER ANY FOUR QUESTIONS, TWO QUESTIONS
FOR EACH SECTION**

**DO NOT OPEN THIS PAPER UNTIL PERMISSION HAS BEEN GRANTED
BY THE CHIEF INVIGILATOR**

Section A

QUESTION 1

Observe the pictures below and answer:

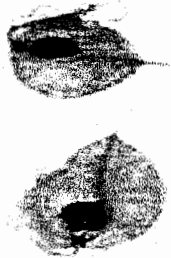


Figure 1



Figure 2

- a) To which Phylum and Class do the animals in figure 1 belong? (8.0 Marks)
- b) To which Phylum and Class do the animal in figure 2 belong? (8.0 Marks)
- c) Explain and illustrate duplication? (9.0 Marks)

QUESTION 2

- a) Write short notes about convergent evolution. (10.0 Marks)
- b) Explain the characteristics used by man to select animals for domestication. (15.0 Marks)

QUESTION 3

- a) Explain active transport (8.0 Marks)
- b) List the organic bases found in nucleic acids. (5.0 Marks)
- c) Name and label the Figure 3. (12.0 Marks)

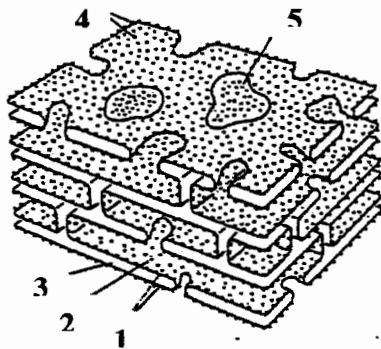


Figure 3

Section B

QUESTION 4

- a) Explain what is meant by Applied Zoology? Give examples to illustrate your answer. (10.0 Marks)
- b) List three differences between exocrine and endocrine glands. (15.0 Marks)

QUESTION 5

- a) Label the diagram of the tissue shown below: (15.0 Marks)

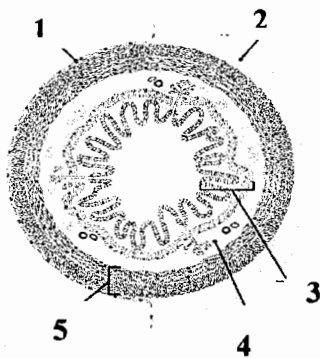


Figure 4

- b) In Figure 4 above the outside covering layers illustrated by numbers 1 and 2 are different. Explain why this is important. (10.0 Marks)

QUESTION 6

- a) Name the type of supportive tissues (10.0 Marks)
- b) Explain the functions of each tissue. (15.0 Marks)