

**UNIVERSITY OF SWAZILAND
SUPPLEMENTARY EXAMINATION, JULY 2005**

Title of Paper : COMPUTER SCIENCE FOUNDATION COURSE

Course Number : CSF 100

Time Allowed : Three (3) hours.

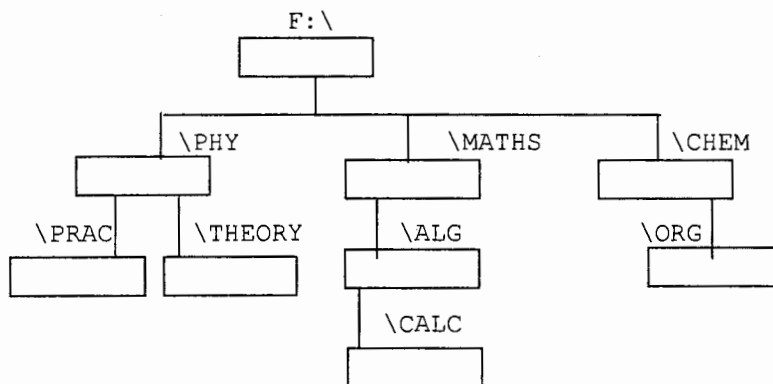
Instructions : Answer all the five questions. Choose options as given with the questions. Maximum mark is 60.

This paper should not be opened until permission has been granted by the invigilator.

Q1(a) (5 marks). Explain the meaning, usefulness and distinction/s between the following –

- (i). System Program and Application Program
- (ii). Bit and Byte

Q1(b) (5 marks). Starting from the system prompt F:\> , write a sequence of MSDOS commands and system prompts to create the following directory tree structure in the root of F: . Assume that the root of F: is empty at the start -



Q1(c) (5 marks). Write MSDOS command/s along with the correct system prompts to perform the following tasks independently. Assume that at the start of each task, the system prompt is F:\>. The context is the above figure as shown in question Q1(b). Answer **any five** of the following.

- (i). Display on VDU the contents of the file NOTES.TXT which is in the subdirectory \THEORY
- (ii). Show on the VDU the contents of the subdirectory \CALC.
- (iii). Copy the file LAB2.TXT in the \PRAC subdirectory to the file LAB2NEW.PRN in \ALG subdirectory.
- (iv). Assuming \CALC has no subdirectory, remove the contents of \CALC.
- (v). Change the names of the file OLD.COM to NEW.COM. Assume NEW.COM is in \THEORY subdirectory.
- (vi). Remove everything from the \MATH subdirectory. Assume that \ALG and \CALC are not empty.

Q2 (a) (6 marks). The context is MS Word as implemented in the Computer Centre Lab. Explain and Give at least three examples of each of the following. Answer **any two** of the following -

- (i). Subscript, superscript, strikethrough
- (ii). Text justification
- (iii). Font names and sizes

Q2(b) (4 marks). Explain the distinction/s and purpose of the following in MS Word. Answer **any two** of the following -

- (i). 'Cut' and 'Copy'.
- (ii). 'Find' and 'Replace'.
- (iii). 'Print' and 'Print Preview'.

Q3(a) (3 marks). Explain all the addressing modes of cell reference in MS Excel.

Q3(b) (3 marks). A formula in A4 is copied to D5. Write the copied formula in D5. Answer **any three** of the following. Assume that the contents of A4 are -

- (i). =BS\$1*\$D\$1
- (ii). =B1*D1
- (iii). =B\$1+\$D1
- (iv). =\$A1-D\$1

Q3(c) (4 marks). A clipped spreadsheet contents are shown below.

	A	B	C	D	E	F
1	8	12			4	
2	7	5				
3	3	9				
4	4	11				
5	5	10				

Assume that A1..B5 has numbers as shown above and contents of C1, D1 and E1 are -

$C1 = +B1+A1$, $D1 = +A1+B1+C1+$E1 , $E1 = 4$

The contents of C1..D1 are copied at C2..D5 and contents of E1 are copied at E2..E5.

Write the values stored in C2..E5.

Q4. (10 marks). The context is the DBMS program (MS Access) as implemented in the Computer Centre Lab. The UNISWA library wants to keep information about its book collections in its stock. The information consists of the following -

1. Title of the book	60 characters
2. First author surname	20 characters
3. First author other names	50 characters
3. Book ISBN number	10 digits
4. Year of acquisition	4 digits
5. Price of the book	4 digits for Emlangeni, 2 for cents (-----.--)

Write the structure or design of a simple relational database table that can be used to store the above information for the library. Write the field name of the primary key and your table name too.

Now write select query command/s in SQL to do the following tasks independently. Answer **any five** of the following -

- (i). Create a list displaying the title and First Author surname of every book. The First Author surname of books should be sorted in the order of your choice.
- (ii). Create a list displaying the title, ISBN and price of every book acquired in the year 1997.
- (iii). Create a list displaying the ISBN number and price of every book whose price is above E100.00. ISBN numbers should be sorted in descending order.
- (iv). Create a list of titles of the books whose first author surname is 'LIZEL'. No sorting is to be done.
- (v). Create a list displaying the ISBN number and price of every book acquired between the years 1990 and 2000 (both inclusive). ISBN numbers should be sorted in descending order.
- (vi). Create a list displaying the Title and ISBN of every book whose price is E500.00 or more.

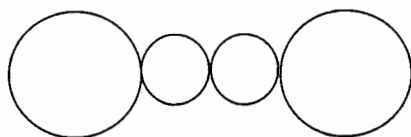
Q5(a) (5 marks). Draw the shape produced when the following screen effecting direct LOGO command is given. Assume that CLEAR command has already been given. Write the position coordinates and direction of the turtle at the end of the command

(i) REPEAT 3 (FORWARD 10 TURN 120)

(ii) REPEAT 3 (FORWARD 20 TURN 90 FORWARD 10 TURN -90)

Q5(b) (6 marks). Write a LOGO program CIRCLE to draw a circle of radius R and CENTRE at CX, CY.

Q5(c) (4 marks). Using the CIRCLE program of Q5(b), write screen effecting direct LOGO commands to draw the following shape on the LOGO display screen. Use your own dimensions. Centres are on a horizontal line and radius of each circle is as shown.



(End of Examination Paper)